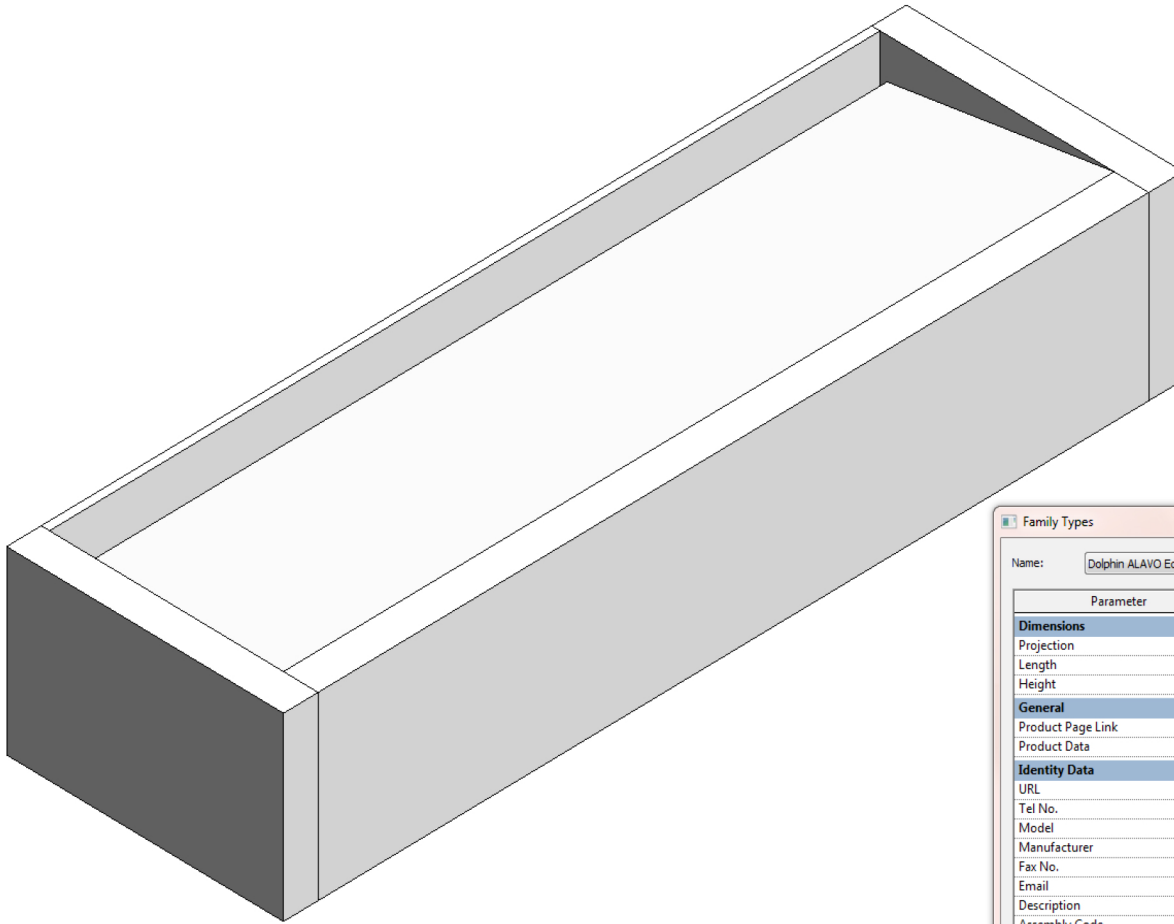


DOLPHIN SOLUTIONS LIMITED DOLPHIN ECLIPSE FIXED VANITY TROUGH



Family Types

Name: Dolphin ALAVO Eclipse Fixed Vanity Trough

Parameter	Value	
Dimensions		
Projection	Dependent on application dimensions fully customisable	=
Length	Dependent on application dimensions fully customisable	=
Height	Dependent on application dimensions fully customisable	=
General		
Product Page Link	http://www.dolphinsolutions.co.uk/en/product/eclipse-fixed-vanity-trough	=
Product Data	Designer angled slope trough with water run-off through continuous slots to hidd	=
Identity Data		
URL	www.dolphinsolutions.co.uk	=
Tel No.	+44 (0) 1424 202224	=
Model	Eclipse fixed vanity trough	=
Manufacturer	Dolphin Solutions Limited	=
Fax No.	+44 (0) 1424 205200	=
Email	info@dolphinsolutions.co.uk	=
Description	Eclipse fixed vanity trough	=
Assembly Code	D2090900	=
Address	Southpoint, Compass Park, Bodiam, Roberbridge, TN32 5BS	=
Keynote		=
Type Comments		=
Cost		=

Family Types

New...

Rename...

Delete

Parameters

Add...

Modify...

Remove

Lookup Tables

Manage...

OK Cancel Apply Help